

# CVC1103 Pouch Desiccant Inserter

- Lower Operating Costs

- Increase Operating Flexibility

- Unparalleled Service

- Quality that your Customers Demand



The CVC1103 Pouch Desiccant Inserter cuts desiccant packets from a roll and inserts them into containers at speeds of up to 120 bottles per minute. The CVC1103 is PLC driven and Servo Motor Controlled and comes standard with a 6" touch screen terminal. Options include tower lamp and feed screw.

Solid Dose Bottling Lines

- Built to cGMP Standards • Stainless Steel Construction • 10 Channels of Memory • Quick & Easy Change Over

Blister Packaging  
Cartoners  
Labelers

"Leading Global Equipment Supplier"

[www.cvcusa.com](http://www.cvcusa.com)



**CVC Technologies, Inc.**

# CVC1103 Technical Specifications

## Standard Features:

- Servo Motor
- PLC Controlled
- 6" Touch Screen Panel
- Memory capacity for 10 jobs
- Safety guards w/ automatic machine stop
- Pneumatic gating for positive stop
- Bottle backlog sensor
- 1 to 5 Pouch Insertions per bottle
- Capacity: up to 120 bottles per minute (BPM) with single insertion
- ISO 9001:2000 Certified

## Product Specifications:

- Pouch Length: 1-3/16" to 2-3/8" (30mm - 60mm)
- Pouch Width: 5/8" to 1" (15mm - 25mm)
- Pouch Thickness: 1/8" to 3/8" (3mm - 9mm)
- Roll Diameter Maximum: 14" (356mm)
- Roll Width Maximum: 11-5/8" (295mm)
- Roll Core: 3" (76mm)

## Container Specifications:

- Bottle Diameter: 1-1/4" up to 4-1/4" (32mm - 108mm)
- Bottle Height: 2" to 7-3/4" (51mm - 197mm)
- Bottle Opening: 1" to 4-1/4" (25mm - 108mm)

## Machine Specifications:

- Machine Weight: 340 Lbs. (154kg)
- Noise Level: 78 dB

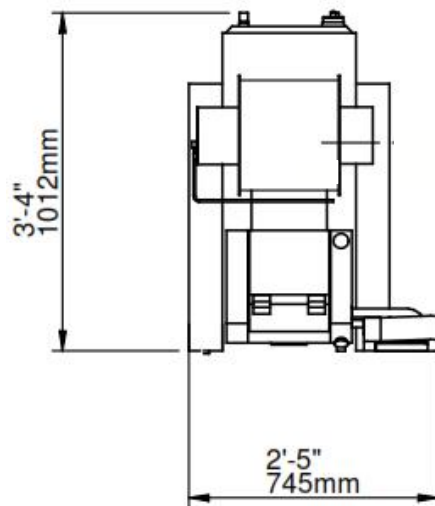
## Air/Electrical Requirements:

- Power Source: 220V, 50/60 Hz, Single Phase
- Power Consumption: 2 AMP
- Air Pressure: 87 psi (ISO B573-1)
- Air Consumption: 4 cfm (60 liters / min.)

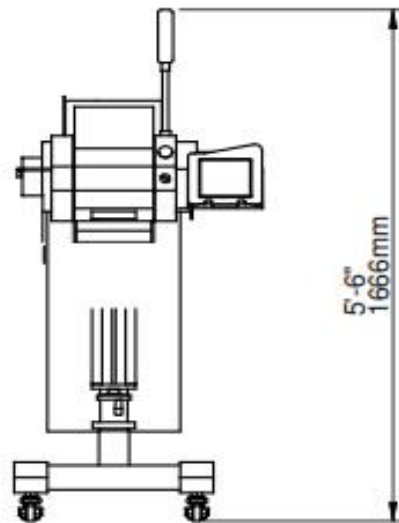
## Available Options:

- Motorized Sanitary Conveyor, 4-1/2' wide belt standard (6" wide belt available)
- Infeed Feed Screw System
- Tower Lamp
- Desiccant in bottle inspection, Vision
- Reject Station
- Reject verification check
- TST with OPC Code Software (21 CFR Part 11)

## Machine Layouts:



Top View



Front View



Quality • Value • Service

Authorized CVC Dealer

Copyright © CVC Technologies, Inc. • Jan. 2012 Edition

*Dimensions shown are for a standard machine. This machine can run independently or can be integrated into an automated packaging line. All CVC equipment is covered by a one year parts warranty. Full Warranty details are included in our equipment proposals or can be found on our website.*