

CVC1205 In-Line Spindle Capper

- Lower Operating Costs

- Increase Operating Flexibility

- Unparalleled Service

- Quality that your Customers Demand



The CVC1205 Capper is a very flexible machine designed to apply and tighten screw-on caps onto containers at rates of up to 120 bottles per minute. The CVC1205 is PLC controlled and comes standard with a 6" touch screen terminal and 4 sets of adjustable spindles. Options include tower lamp, hopper level control, cap inspection (level cap, foil seal, and no cap), reject, and reject verification.

Solid Dose Bottling Lines

• Built to cGMP Standards • Stainless Steel Construction • 10 Channels of Memory • Quick & Easy Change Over

Blister Packaging
Cartoners
Labelers

"Leading Global Equipment Supplier"
www.cvcusa.com



CVC Technologies, Inc.

CVC1205 Technical Specifications

Standard Features:

- PLC Controlled
- 6" Touch Screen Panel to access all settings
- Stainless Steel Construction
- Memory capacity for 10 jobs
- Cap tightening station with 4 sets of spindles
- 1st Set of spindles run reverse direction
- 9.1 cu ft. Cap Hopper Elevator
- Capacity: up to 120 Bottles per minute (BPM)
- ISO 9001:2000 Certified

Container Specifications:

- Cap Type: Plastic screw and CRC
- Cap Height: 1/2" to 3/4" (13mm - 19mm)
- Cap Diameter: 1" to 4-1/4" (25mm - 108mm)
- Bottle Height: 2" to 8-1/2" (51mm - 216mm)
- Bottle Diameter: 1-1/4" to 4-1/2" (32mm - 114mm)
(maximum 7-1/2" Bottle Dia. on a 6" wide conveyor)
- Minimum Body Height (below shoulder): 2" (51mm)

Machine Specifications:

- Machine Weight: 926 Lbs. (420kg)
- Hopper Weight: 397 Lbs. (180kg)
- Noise Level: 75 dB

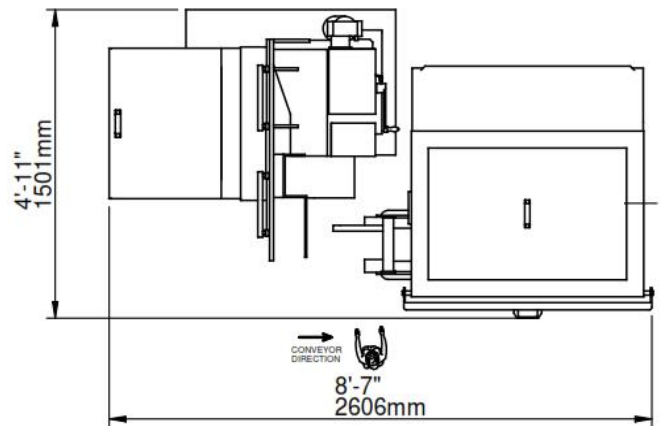
Air/Electrical Requirements:

- Power Source: 220V, 50/60 Hz, Single Phase
- Power Consumption: 7.5 Amp
- Air Pressure: Minimum 87 psi (ISO 8573-1)
- Air Consumption: 15 - 20 cfm

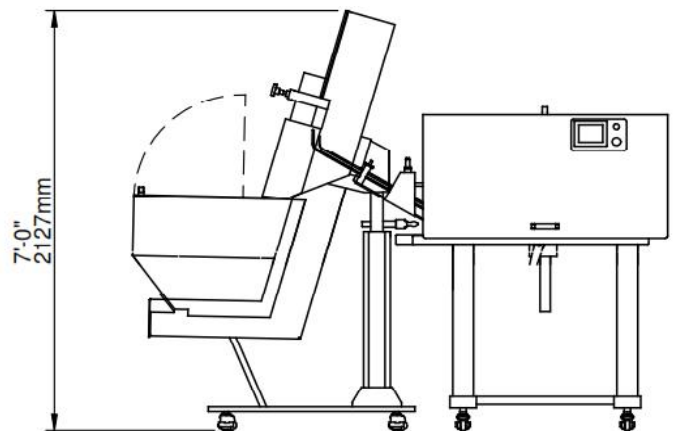
Available Options:

- Motorized Sanitary Conveyor, 4-1/2" wide belt Standard
(6" wide belt available)
- Tower Lamp
- Hopper level control
- Cap Inspection Package (level cap, no cap, foil presence)
- Rejection System
- Rejection verification check
- Press on cap system
- Double Gripping belt assembly
- Nitrogen Flushing Station
- TST with OPC Code Software (21 CFR Part 11)

Machine Layouts:



Top View



Front View



Quality • Value • Service

Authorized CVC Dealer

Copyright © CVC Technologies, Inc. • Jan. 2012 Edition

*Dimensions shown are for a standard machine. This machine can run independently or can be integrated into an automated packaging line. All CVC equipment is covered by a one year parts warranty. Full Warranty details are included in our equipment proposals or can be found on our website. * Hopper (optional)*