

CHUCK CAPPER

CVC 3034-2



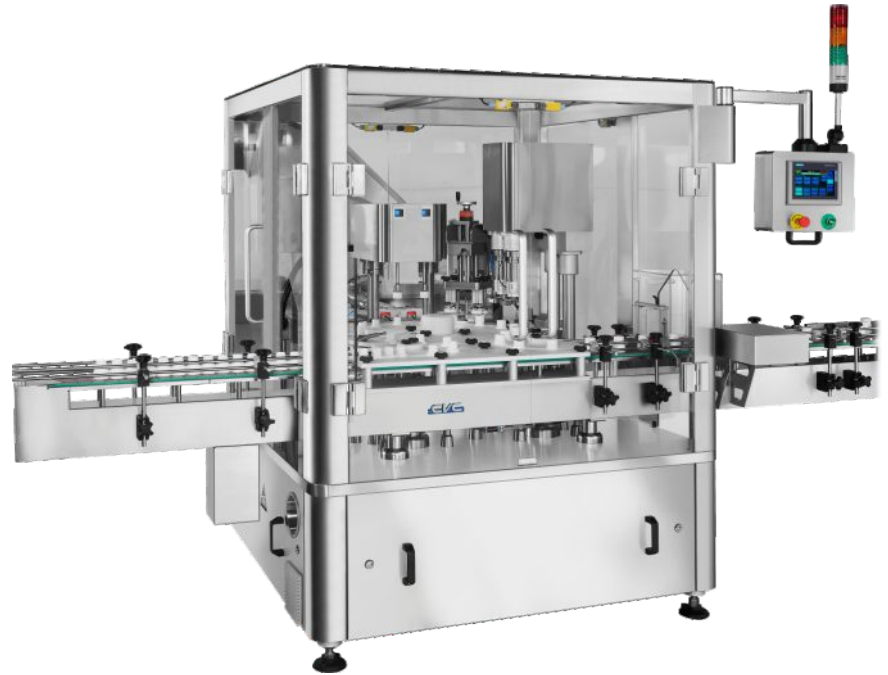
The compact-designed CVC 3034-2 Chuck Capping System provides excellent capping performance with maximum output of 60 BPM (bottles per min.). The machine is great to integrate with a variety of bottle packaging lines.

CVC Servo Chuck Capping System is available for the following types of capping applications:

- Plastic Screw-on caps
- Snap-on caps
- Aluminum ROPP caps
- Push-in stoppers, and plugs
- Pumps and triggers

STANDARD FEATURES

- Production Output is up to 60 bottles per min. (Actual output will be depending on customer's and caps. Our factory evaluation is required.)
- 2 Servo Driven Capping Heads.
- Table top design features ease of machine cleanup and operator's access.
- Stainless steel construction, meeting GMP regulations.
- Servo motor driven system is applied for consistent torque application.
- Siemens PLC and 7" Touch Screen Panel HMI.
- Up to 50 Recipes which allow operator to perform quick storage and recall of counting job memory.
- Main Drive System is servo motor driven.
- Capping head up/down and rotation are driven by advanced servo motors, which feature precise capping control.
- Capping torque inspection system.
- CE standard PC safety guard.
- Type 304 stainless steel bin, frame, enclosure panels.
- ISO 9001 : 2015 certified.



CVC 3034-2 Technical Specifications

Max. Productivity	Up to 60 Bottles per Minute(BPM) based on 100ml round bottle (subject to trial confirmation)
Power Supply	380 V/ 60 HZ/ 3 PH
Power Consumption	9,000 VA (About 25 A)
Air Pressure	6 kgf/cm ² / Minimum 87 psi
Air Consumption	800 NLit/min (28 CFM)
Machine Dimension	L.3700 (Including conveyor) x W.2753 (Including vibrator) x H.2200 (mm) (Including tower lamp) L.1515 x W.1465 x H.1900 (mm) (Does not include conveyor)
Net Weight (KGS)	1150 Kg (Not including vibrator)
Applicable Size	Bottle Dia.: Ø30 mm - Ø110 mm Bottle Height: 50 mm - 220 mm Cap Dia.: Ø30 mm - Ø60 mm Cap Height: 8 mm - 22 mm
Applicable Bottle	Cap: CRC, CT (*) Bottle: Plastic bottle, Glass bottle (**)

* For press-on caps, please consult with CVC Engineering team.

** For irregular shaped bottles, please consult with CVC Engineering team.

TECHNICAL SPECIFICATIONS

Low maintenance cost and time:

With the use of servo main drive system, the CVC rotary capper requires only minimal maintenance.

AVAILABLE OPTIONS

- 21CFR Part 11 compliance
- OPC UA for data collection
- Cap Prefeeder (Cap Stock Elevator/Hopper)
- Fallen bottle detection
- Bottle & cap detection system is used for foil liner and crooked caps detection.
- Rejection system is in conjunction with verification devices to removing unqualified containers: cocked caps, missing foil liners, low capping torque level (if capping torque is lower than set torque)
- Rejection verification check
- Bottle format changeover parts
- Cap format changeover parts
- Type 316L stainless steel contact parts.



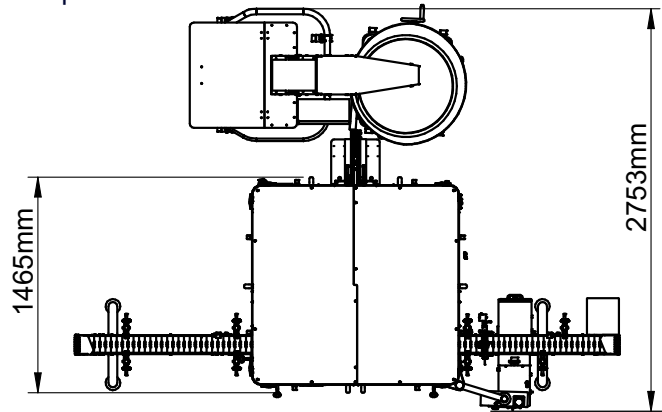
Cap format changeover parts



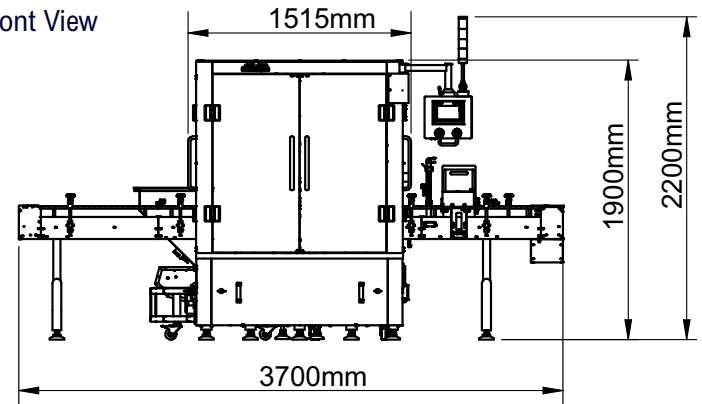
Cap Prefeeder (Cap Stock Elevator/Hopper)

MACHINE LAYOUTS

Top View



Front View



The dimensions shown are for standard machine. The conveyor can be extended: the length may vary based on selected options. This machine can run independently or be integrated into an automated packaging line. All CVC equipment is covered by a one-year parts warranty. Full Warranty details are included in our equipment proposals or can be found on our website.



Contact Us

USA

10861 Business Drive, Fontana, CA 92337
Phone: +1 (909) 355-0311
www.cvctechnologies.com
sales@cvcusa.com

USA East Coast Office

1855 New Highway, Suite C, Farmingdale NY 11735
sales@cvcusa.com

Taiwan-Asia Pacific Headquarters

Phone: +886 (4) 2496-3666
sales@cvctechnologies.com

China/India

sales@cvctechnologies.com