

ROTARY POWDER FILLER

CVC 6088-R16



The CVC 6088-R16 Automatic Rotary Powder Filling Machine is designed to fill powder products into containers provided to its infeed conveyor and transported through its rotary continuous motion mechanism. The Powder dosing uses servo motor driven auger dosing system for accuracy volume.

The overall machine construction takes most applicable regulatory considerations into account: cGMP, FDA, and it meets the requirements of most integrated powder filling-packaging lines for pharmaceutical and nutraceutical industries.

STANDARD FEATURES

- Siemens PLC control and Touch-Screen control panel provide easiness of adjustment and operation
- The Product dosing is done by a servo motor driven auger, dosing amount depends on the auger size (changeover part), and also depends on its rotation, which is settable from the HMI
- The Rotary funnels receive accurate amounts of powder dispensed by the auger; and while the funnels are rotating along with the filling starwheel, the powder will be filled into the bottles
- Enclosed design avoids product dust getting into mechanical/electrical system
- Changeover and disassembling of auger is simple and toolless
- Clean up is easy and quick
- No bottle no fill
- Machine stops when bottle stuck
- Machine stops when low air pressure
- All product contact parts are SUS 316 stainless steel and FDA approved or accepted materials
- The machine uses non-weld seamless one-piece SUS 316 auger, which ensures thorough washing, cross-contamination concerns are thus eliminated



CVC 6088-R16 Technical Specifications

No. of Filling Heads	1
Filling Station Number	16
Productivity	Up to 100 BPM (Vary with different products, and filling weight, subject to trial confirmation.)
Filling Volume	9- 40 g (³ / ₈ - 1 ³ / ₈ oz) (Custom Fill Weights can be supported based on case by case basis study of the respective projects.)
Vacuum Supplying Capacity	150-180 kg/hr (330-396 lbs/hr)
Hopper Diameter	Ø 300 mm (11 3/4")
Powder hopper Capacity	14 L (0.5 Cuft)
Power Source	380 V, 50/60 HZ, 3 PH
Power Consumption	2,000 VA (3 A)
Air Pressure	6 bar (87 psi)
Machine Dimensions (L x W x H)	1,915 x 1,213 x 2,465 mm (6'-3" x 4" x 8"-1") (Excluding vacuum loader)
Machine Weight	1,100 kg (2,425 lbs)
Noise Level	≤ 80 dB

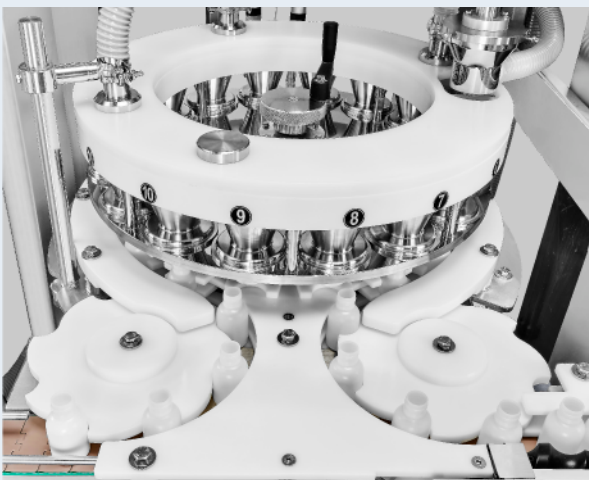
TECHNICAL SPECIFICATIONS

AVAILABLE OPTIONS

- Buffer hopper and vacuum generator system
- Nitrogen purging device
- Infeed/ outfeed starwheel assembly changeover
- Rotary filling station changeover
 - Bottle holder block
 - Filling nozzle
 - Dosing auger
- Nitrogen purging connection
- Vacuum dust collector connection
- Vacuum powder feeding connection



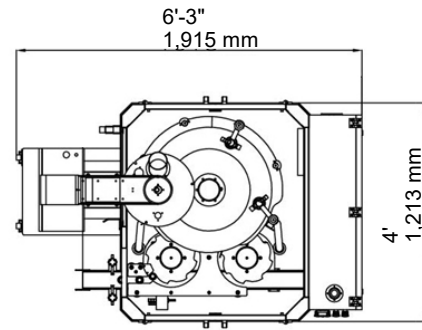
- one head auger powder filling.



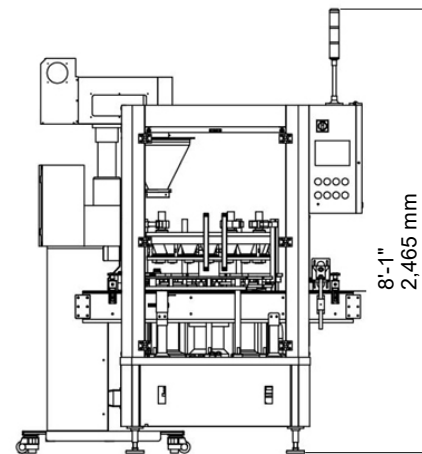
- 16 filling stations.

MACHINE LAYOUTS

Top View



Front View



The dimensions shown are for standard machine with optional infeed and outfeed conveyor. Optional conveyor for bottle transportation is available upon request. This machine with an optional conveyor can run independently or be integrated into an automated packaging line. All CVC equipment is covered by a one-year parts warranty. Full Warranty details are included in our equipment proposals or can be found on our website.



Contact Us

USA
10861 Business Drive, Fontana, CA 92337
Phone: +1 (909) 355-0311
www.cvctechnologies.com
sales@cvcusa.com

USA East Coast Office
1855 New Highway, Suite C, Farmingdale NY 11735
sales@cvcusa.com

Taiwan-Asia Pacific Headquarters
Phone: +886 (4) 2496-3666
sales@cvctechnologies.com

China/ India
sales@cvctechnologies.com