



WALKING BEAM LIQUID FILLER

CVC 3036-8H



CVC 3036-8H with in-line configuration are really versatile fillers that easily - and inexpensively - accommodates to different bottle sizes.

STANDARD FEATURES

- Diving type filling mechanism: filling nozzles dip into bottles and move up while liquid is being filled. It features less foaming during filling.
- 8 filling stations.
- Servo driven on both volumetric pistons and nozzles.
- Flexible adjustments can meet different product characteristics and bottle shapes.
- Various speed settings of liquid filling.
- Drip tray.
- Capability of recipe storage.
- Simple and quick tech mode setup.
- Track full / track empty sensors.
- Bottle mouth holder design for special applications (require to conduct our factory test).
- PLC control with user-friendly operation.
- Motorized single lane sanitary conveyor. customized conveyor lengths are available upon request.
- Type 304 stainless steel bin, frame, enclosure panels.
- Type 316L stainless steel contact parts.
- ISO 9001 : 2015 certified.



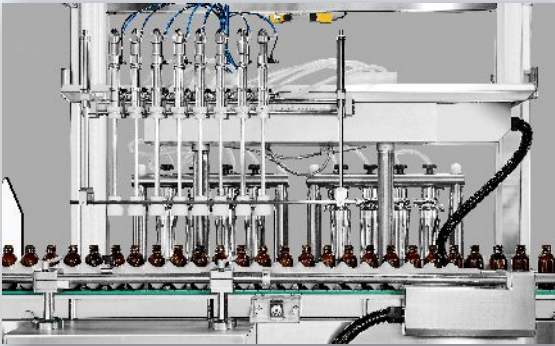
CVC 3036-8H Technical Specifications

Max. Productivity	Up to 96 Bottles per Minute(BPM)
Stable Productivity	7 - 8 Cycles, 88 - 96 BPM (base on 120 c.c. filling volume water)
Power Supply	380 V/ 50(60) HZ/ 3 PH
Power Consumption	7000 VA
Amp.	About 25 A
Air Consumption	50 NLit/m (1.8 CFM)
Air Pressure	6 kgf/cm ² (87psi)
Machine Dimension	11'-10" x 3'-5" x 5'-7" (3600mm x 1050mm x 1700mm) (L x W x H)
Net Weight	1240 kg (2733 lbs)
Noise Level	70~76 dB
Viscosity	1500 cps
Applicable Size	Bottle Dia.: Ø30~68 mm Bottle Height: 65~165 mm Mouth Opening (I/D): Ø10~15 mm (1/4" nozzle 6.5 mm), over Ø15 mm (Standard nozzle 13 mm)
Applicable Bottle	Plastic bottles, Glass bottles
Filling Range & Accuracy	20~500 ml ± 1% (Need to adapt different volumetric piston pumps and proper nozzles)

TECHNICAL SPECIFICATIONS

AVAILABLE OPTIONS

- Include various sizes of volumetric pistons with fill volume capacity range from 20 ml up to 500 ml
- Shut-off nozzles
- 1-on-8 manifold pipe
- Liquid buffer/storage tanks
- 21 CFR PART 11 compliance
- OPC UA for data collection
- Bottle neck holders
- Bottle feed screw
- Bottle feed screw for handling irregular shaped containers

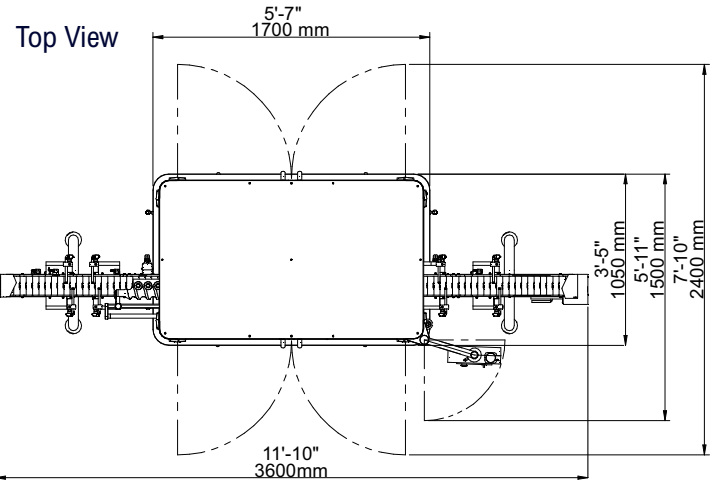


Bottle Mouth Holders

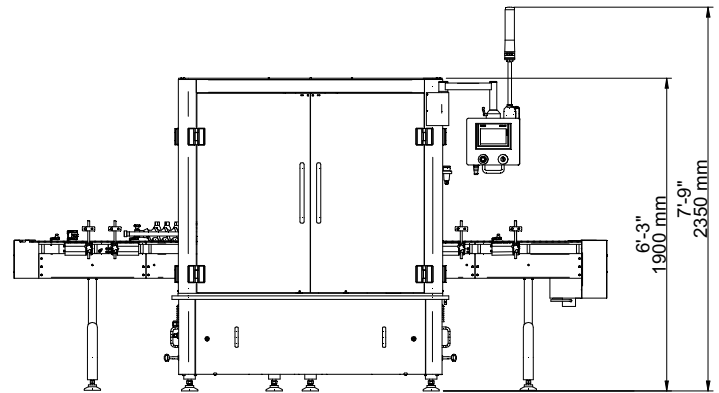
The dedicated bottle holders are required when bottle mouth opening is too small to be centered and aligned with fill nozzles.



MACHINE LAYOUTS



Front View



The dimensions shown are for standard machine. The conveyor can be extended: the length may vary based on selected options. This machine can run independently or be integrated into an automated packaging line. All CVC equipment is covered by a one-year parts warranty. Full Warranty details are included in our equipment proposals or can be found on our website.



Contact Us

USA

10861 Business Drive, Fontana, CA 92337
Phone: +1 (909) 355-0311
www.cvctechnologies.com
sales@cvcusa.com

USA East Coast Office

1855 New Highway, Suite C, Farmingdale NY 11735
sales@cvcusa.com

Taiwan-Asia Pacific Headquarters

Phone: +886 (4) 2496-3666
sales@cvctechnologies.com

China/India

sales@cvctechnologies.com